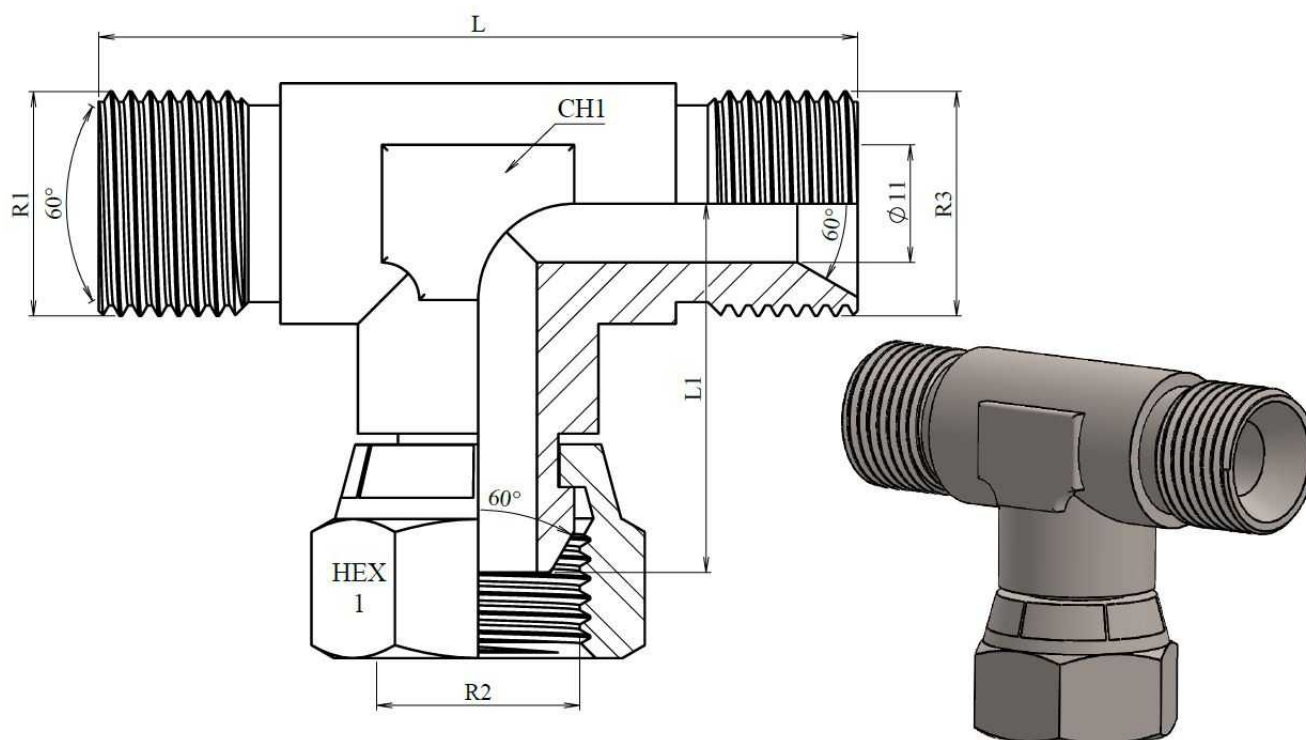


Adaptadores BSP

Te y cruces en forja

Tes macho - hembra giratoria - macho BSP 60º

Acero Inoxidable AISI 316-L



Artículo	R1	R2	R3	L	L1	HEX 1	CH1	ØC
Z122404	1/4" BSP	1/4" BSP	1/4" BSP	50,8	27	19	14	5
Z122406	3/8" BSP	3/8" BSP	3/8" BSP	53,8	29	22	20	8
Z122408	1/2" BSP	1/2" BSP	1/2" BSP	63	35	27	24	11
Z122412	3/4" BSP	3/4" BSP	3/4" BSP	76,2	43	32	28	16
Z122416	1" BSP	1" BSP	1" BSP	89	50,5	41	36	22
Z122420	1"1/4 BSP	1"1/4 BSP	1"1/4 BSP	101,6	52,9	50	41	28
Z122424	1"1/2 BSP	1"1/2 BSP	1"1/2 BSP	108	54	55	41	30